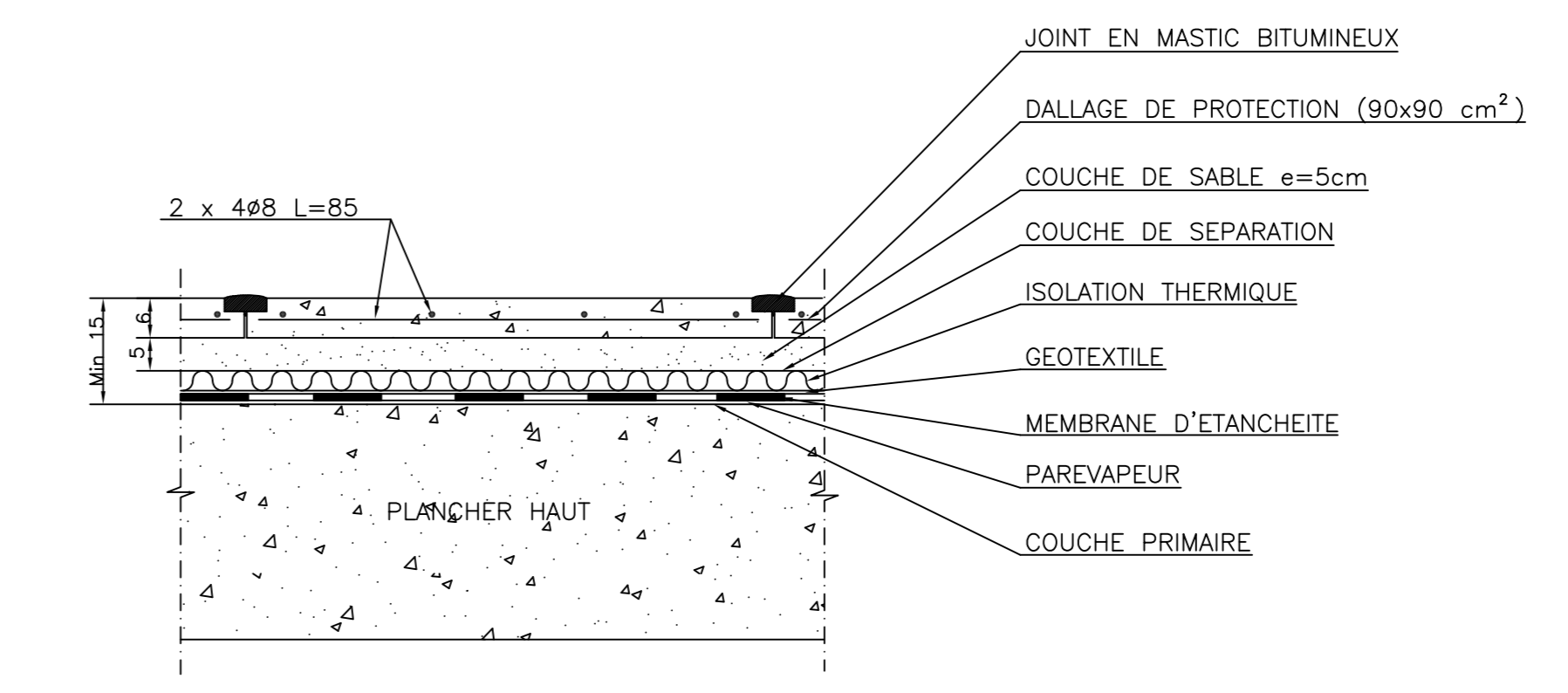
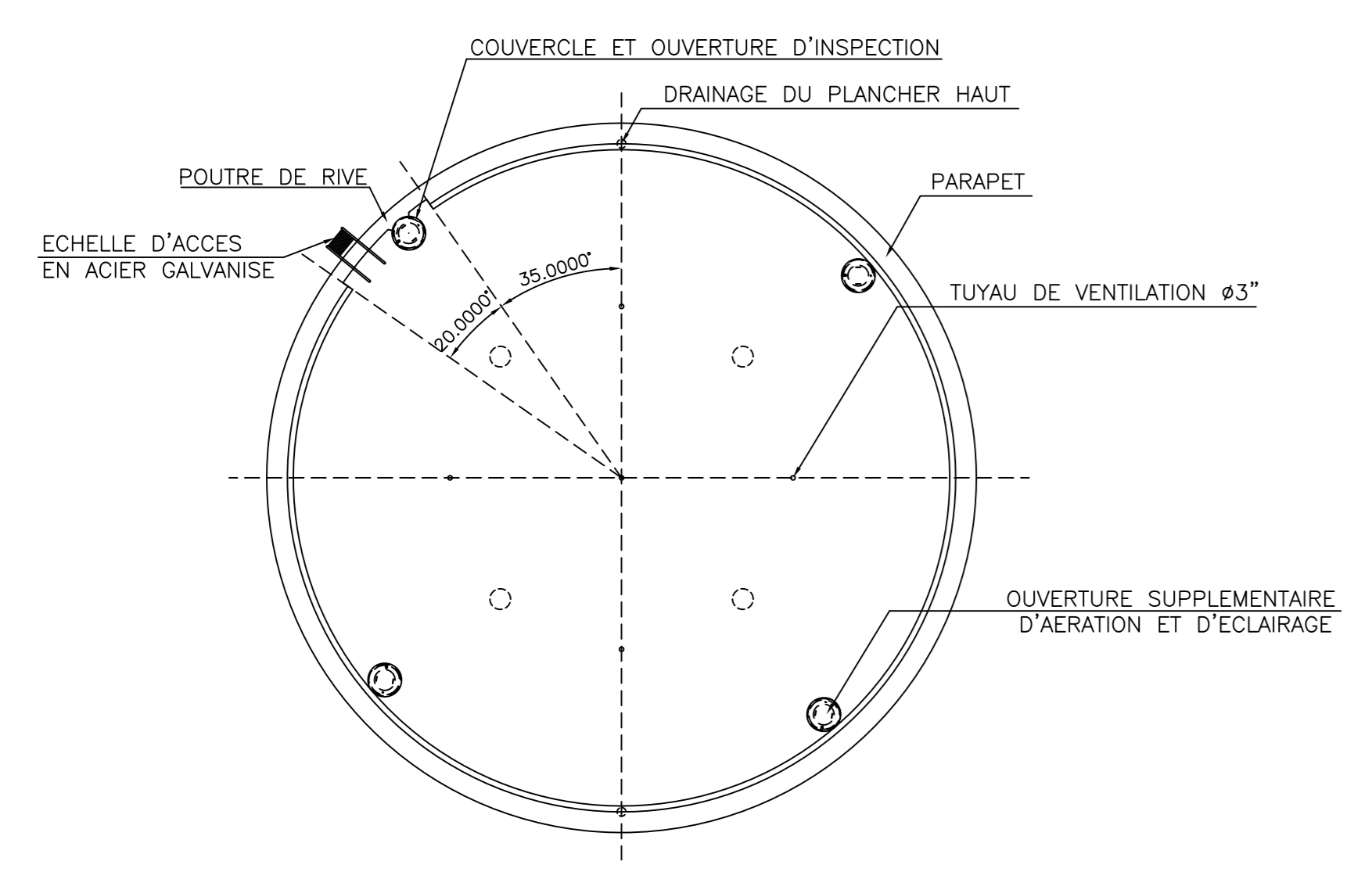


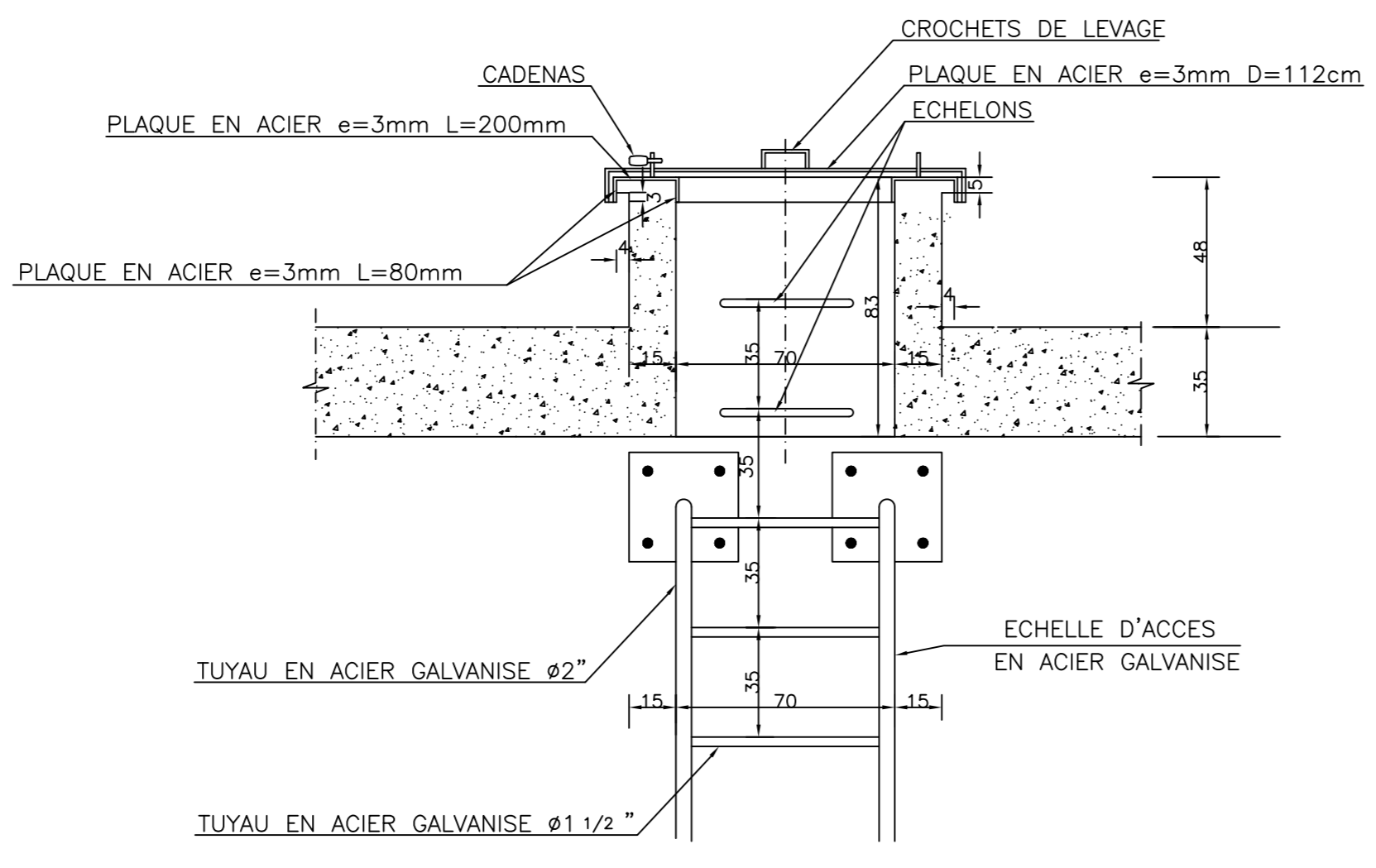
RESERVOIR DE CAPACITE 2000m³
COFFRAGE ET FERRAILLAGE
COUPE S1
Ech. : 1/50



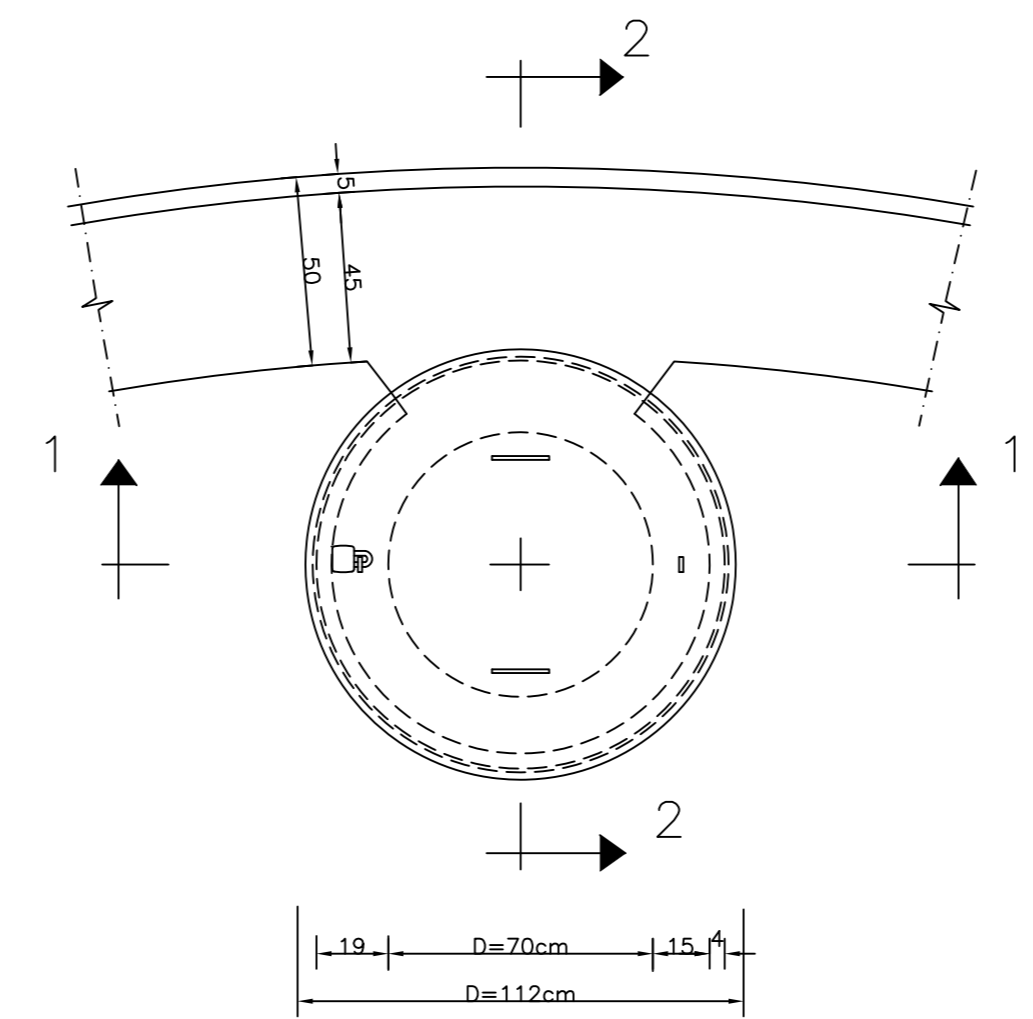
ETANCHEITE ET ISOLATION THERMIQUE DU PLANCHER HAUT
DETAIL A
Ech. : 1/20



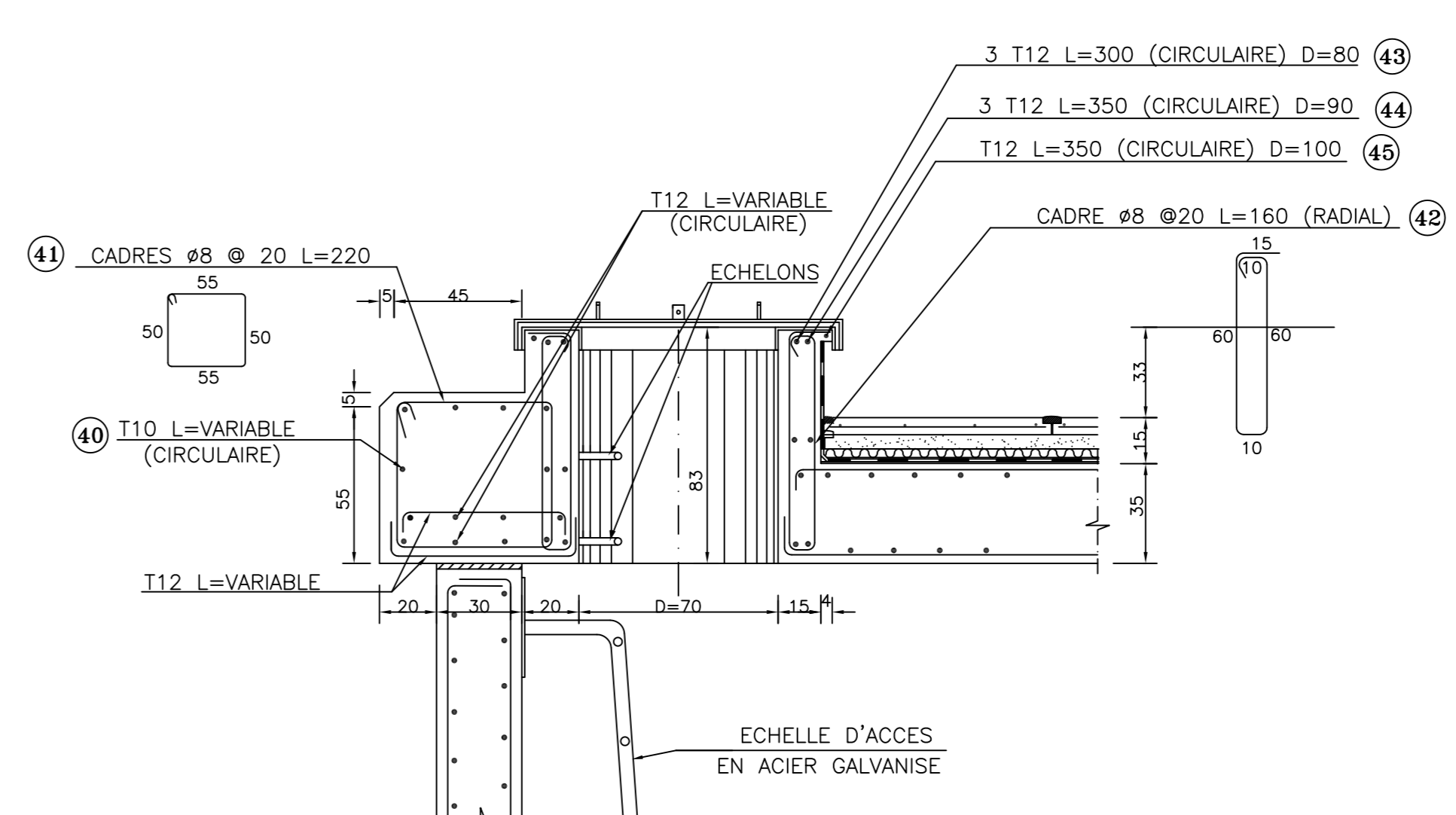
VUE D'EN HAUT DU RESERVOIR
Ech. : 1/400



COUPE 1-1



VUE EN PLAN
COUVERCLE ET OUVERTURE D'INSPECTION
DETAIL B
Ech. : 1/40



COUPE 2-2 - DETAILS DE FERRAILLAGE

- NOTES**
- a) CAPACITE PORTANTE DU SOL DE FONDATION > 2 Kg/cm²
 - b) DOSAGE DU BETON ARME : 350 Kg DE CIMENT /m³
 - c) DOSAGE DU BETON DE PROPLETE : 150 Kg DE CIMENT /m³
 - d) RESISTANCE DU BETON A LA COMPRESSION APRES 28 JOURS > 210 Kg/cm²
 - e) ARMATURES A HAUTE ADHERENCE (NOTES T) DE TYPE FE E40
 - f) ARMATURES USSES (NOTES Ø) DE TYPE FE E24
 - g) ENROBAGE DES ACIERS = 4cm
 - h) TOUTES LES DIMENSIONS EN CENTIMETRES SAUF INDICATION CONTRAIRE
 - i) LES DIAMETRES DES ARMATURES EN MILLIMETRES
 - j) LONGUEUR DE RECouvreMENT 50ø SAUF INDICATION CONTRAIRE

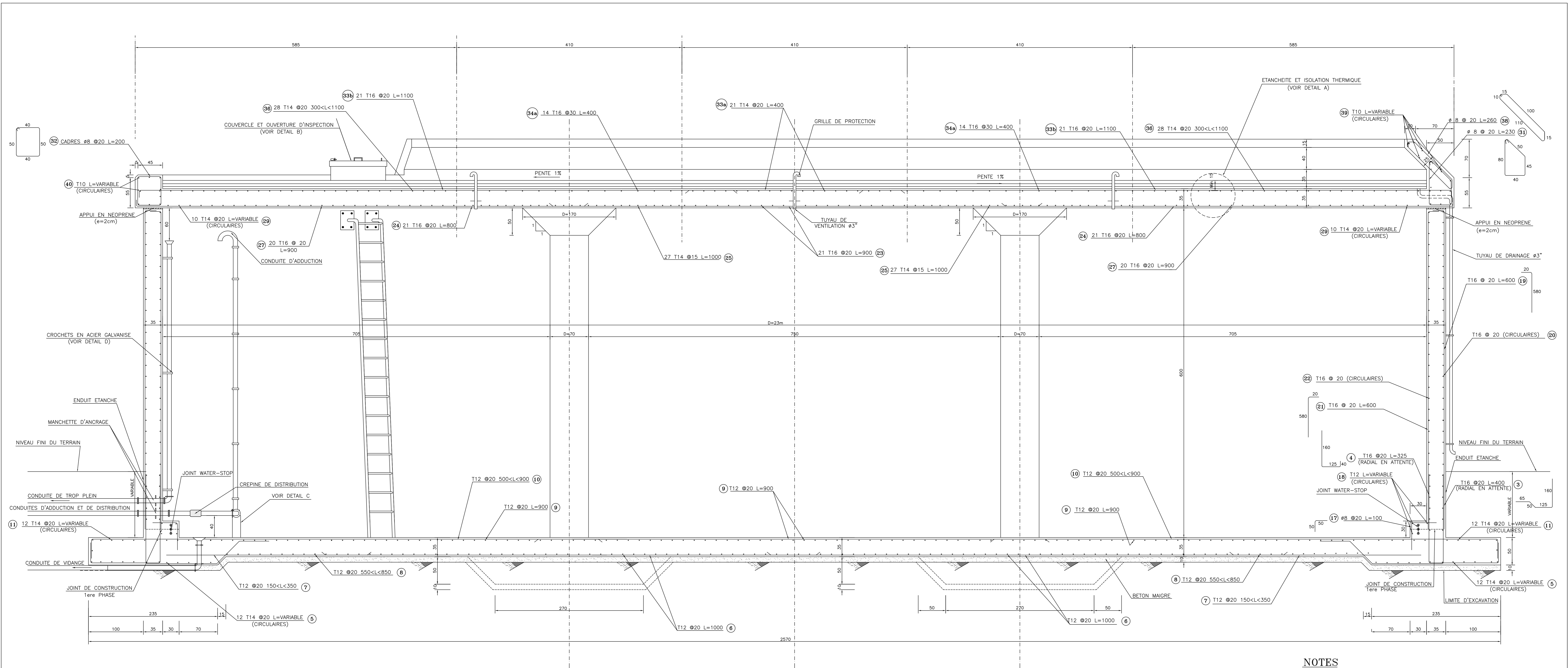
Lebanese Republic
Ministry of Energy and Water
Directorate of Water & Electrical Resources

Kfarzebian 2000 m³ Ground Reservoir

PROJECT: Construction of New Ground Water Reservoir in Kfarzebian Village Kaza Keserwan	DATE: April 2017
DWG TITLE: Structural - Plan, Sections & Details	Designed By: E.D.
SCALE: As Specified in Drawings	Drawn By: D.G.
	Checked By: F.H.
	Approved By: N.C.
REMARKS:	

DWG N°: Dwg/1/6
REVISION: DATE:
20180503_UNICEF_MoEW_Kfarzebian 2000m3 Ground Reservoir_V 0 0 1

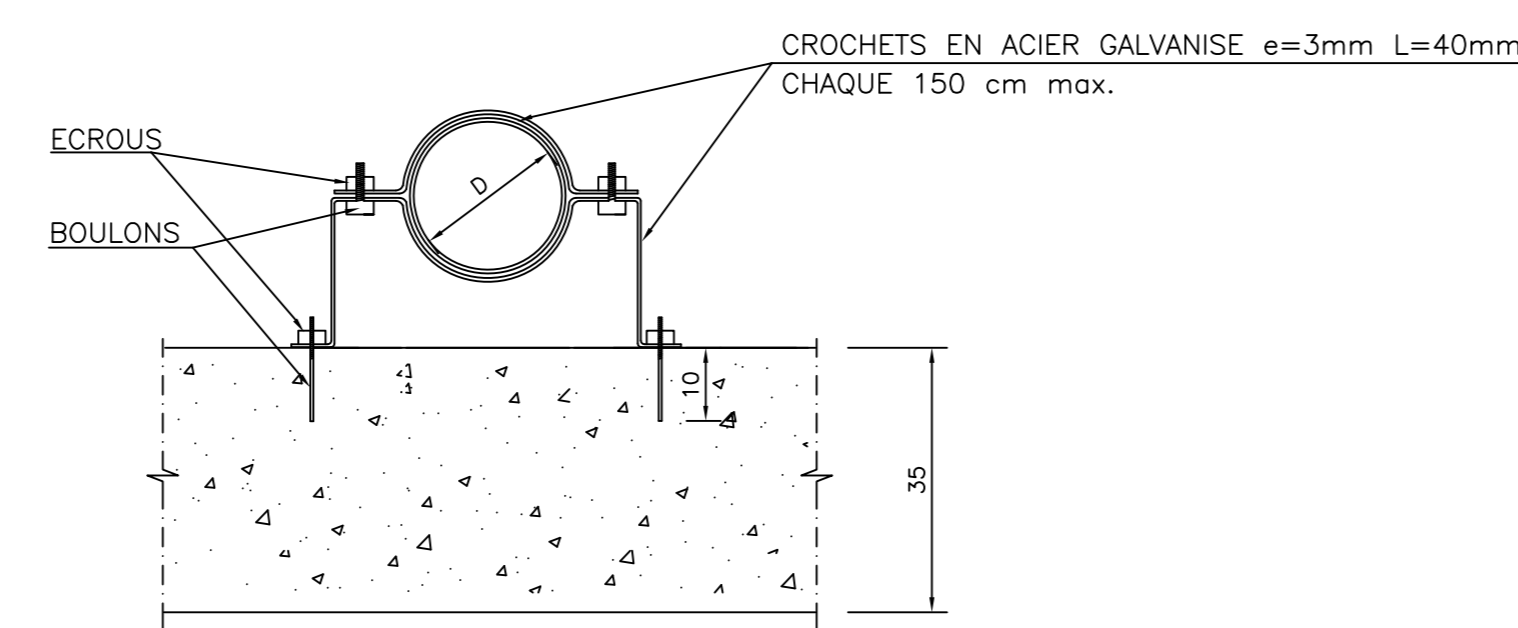




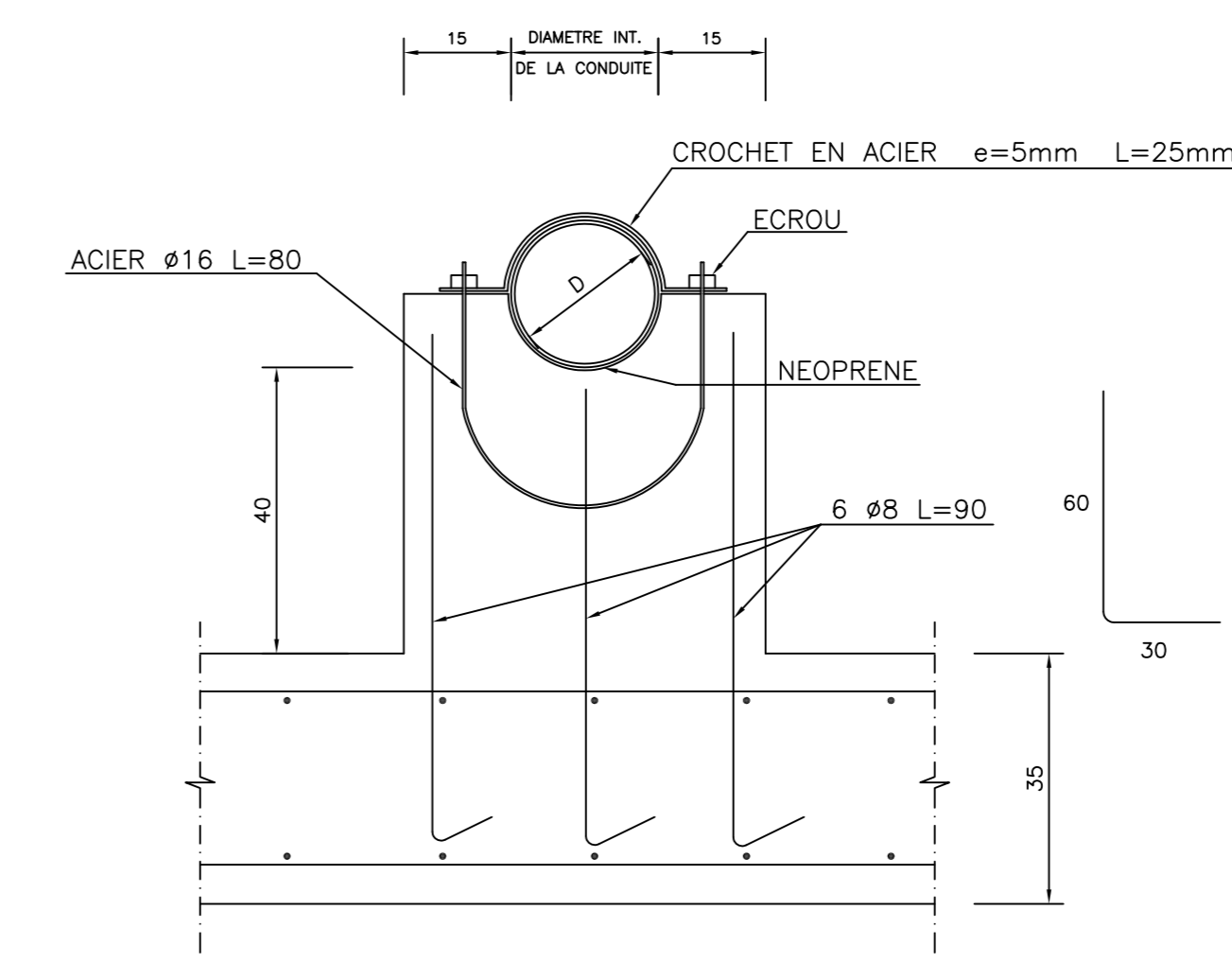
RESERVOIR DE CAPACITE 2000m³
COFFRAGE ET FERRAILLAGE
COUPE S2
 Ech. : 1/50

NOTES

- a) CAPACITE PORTANTE DU SOL DE FONDATION > 2 Kg/cm²
- b) DOSAGE DU BETON ARME : 350 Kg DE CIMENT /m³
- c) DOSAGE DU BETON DE PROPLETE : 150 Kg DE CIMENT /m³
- d) RESISTANCE DU BETON A LA COMPRESSION APRES 28 JOURS > 210 Kg/cm²
- e) ARMATURES A HAUTE ADHERENCE (NOTEES T) DE TYPE FE E40
- f) ARMATURES LISSES (NOTEES ø) DE TYPE FE E24
- g) ENROBAGE DES ACIERS = 4cm
- h) TOUTES LES DIMENSIONS EN CENTIMETRES SAUF INDICATION CONTRAIRE
- i) LES DIAMETRES DES ARMATURES EN MILLIMETRES
- j) LONGUEUR DE RECOUVREMENT 50ø SAUF INDICATION CONTRAIRE



DETAIL D
CROCHETS DE TUYAUX
 Ech. : 1/20



DETAIL C
SUPPORT D'UNE CONDUITE
 Ech. : 1/20

Lebanese Republic



Ministry of Energy and Water
 Directorate of Water & Electrical Resources

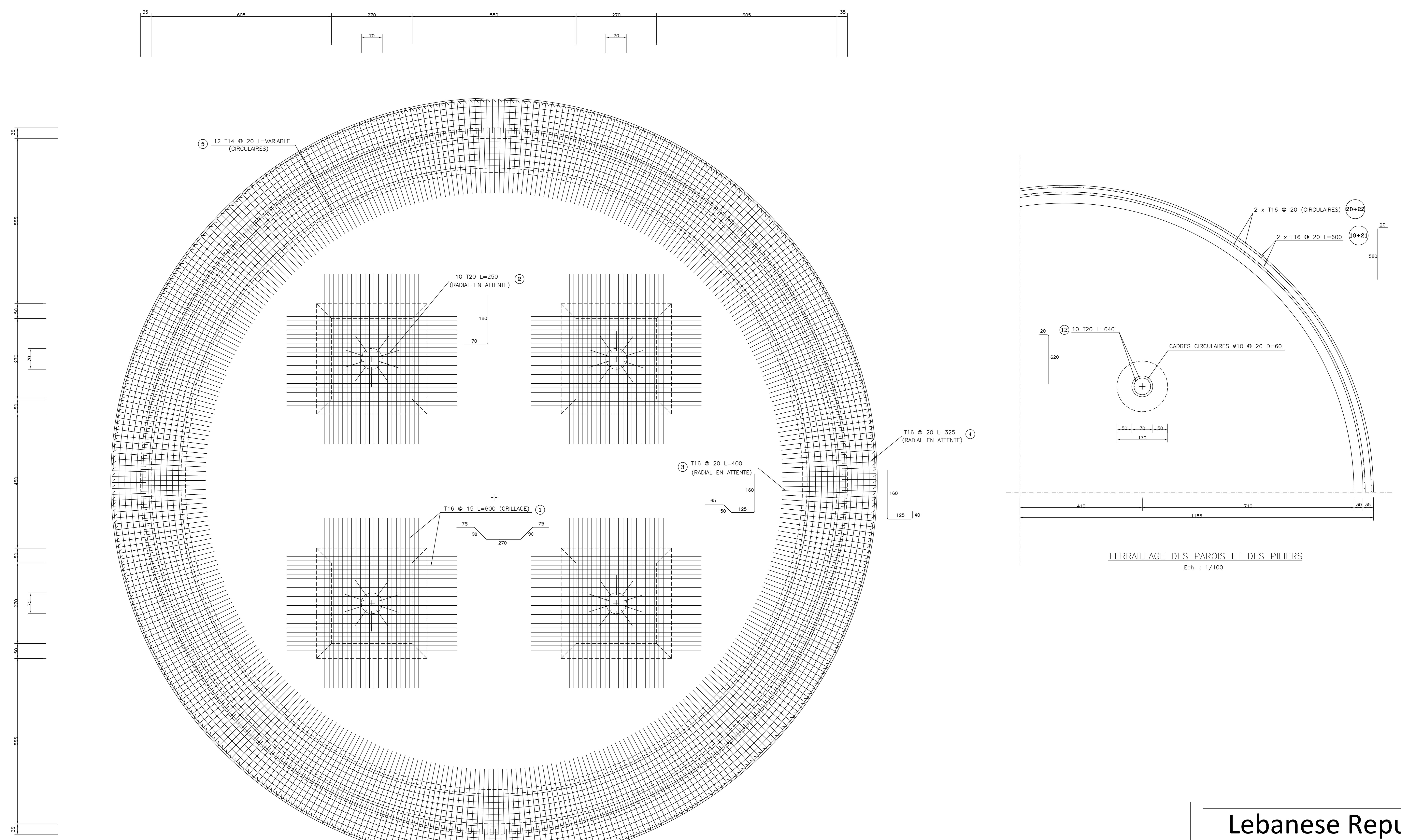
Kfarzebian 2000 m³ Ground Reservoir

PROJECT: Construction of New Ground Water Reservoir in Kfarzebian Village Kaza Keserwan	DATE: April 2017
DWG TITLE: Structural - Plan, Sections & Details	Designed By: E.D.
SCALE: As Specified in Drawings	Drawn By: D.G.
	Checked By: F.H.
	Approved By: N.C.

REMARKS:

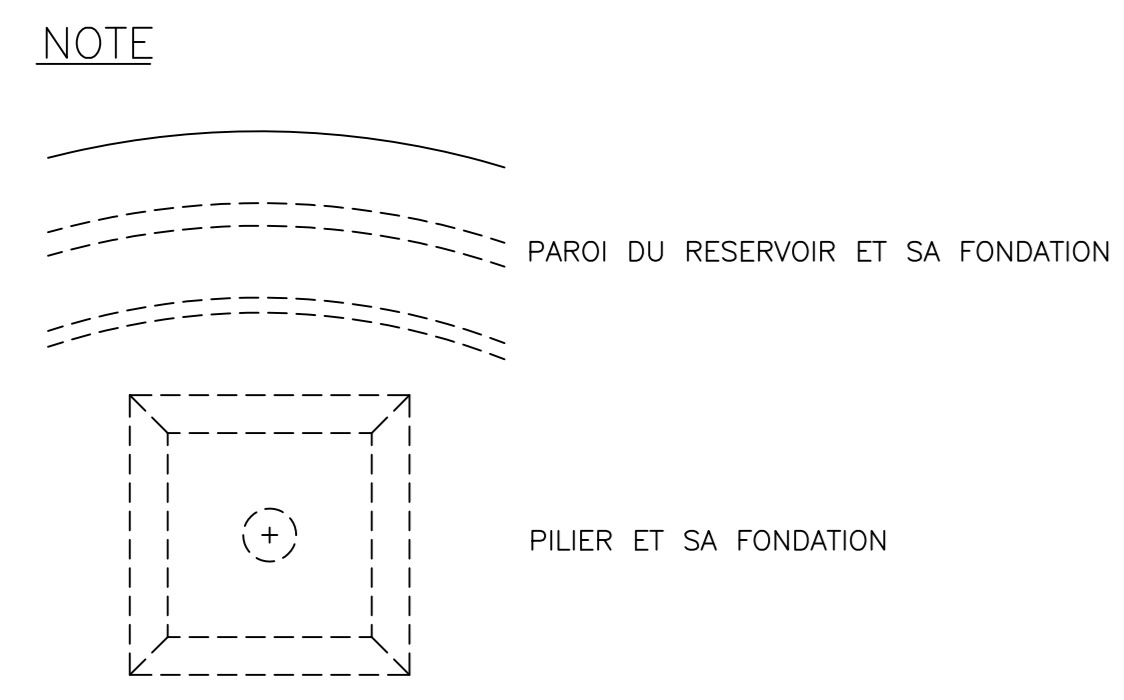
DWG N°: Dwg: 2/6	REVISION: DATE:





FERRAILLAGE DES PAROIS ET DES PILIERS
Ech. : 1/100

FOUNDATIONS DES PAROIS ET DES PILIERS
ARMATURES INFERIEURES
Ech. : 1/100



Lebanese Republic
 Ministry of Energy and Water
 Directorate of Water & Electrical Resources

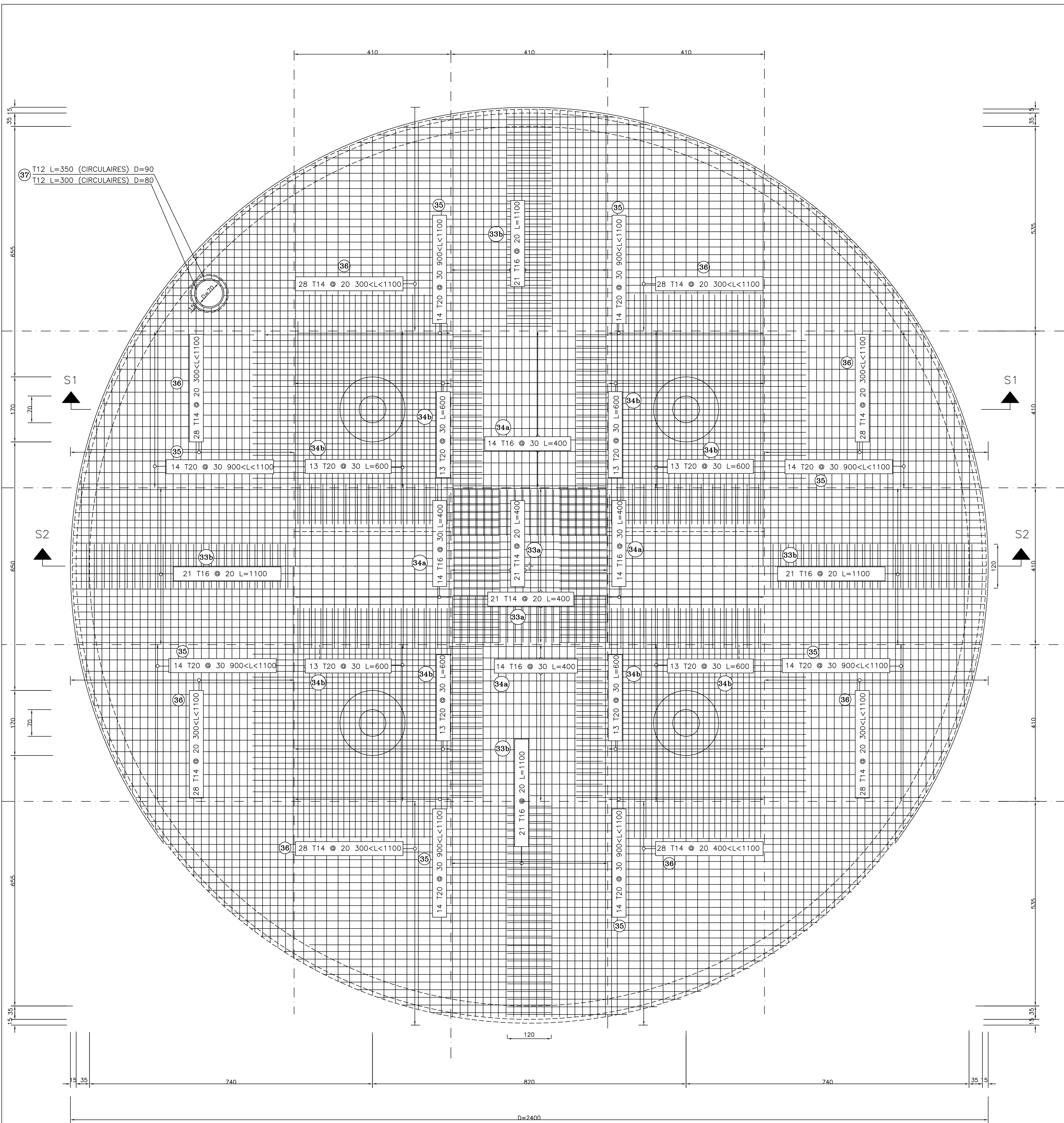
Kfarzebian 2000 m³ Ground Reservoir

PROJECT: Construction of New Ground Water Reservoir in Kfarzebian Village Kaza Keserwan	DATE: April 2017
DWG TITLE: Structural - Plan, Sections & Details Lower Slab Reinforcement Details	Designed By: E.D.
SCALE: As Specified in Drawings	Drawn By: D.G.
	Checked By: F.H.
	Approved By: N.C.

REMARKS:

DWG N°: Dwg: 3/6
REVISION: DATE:

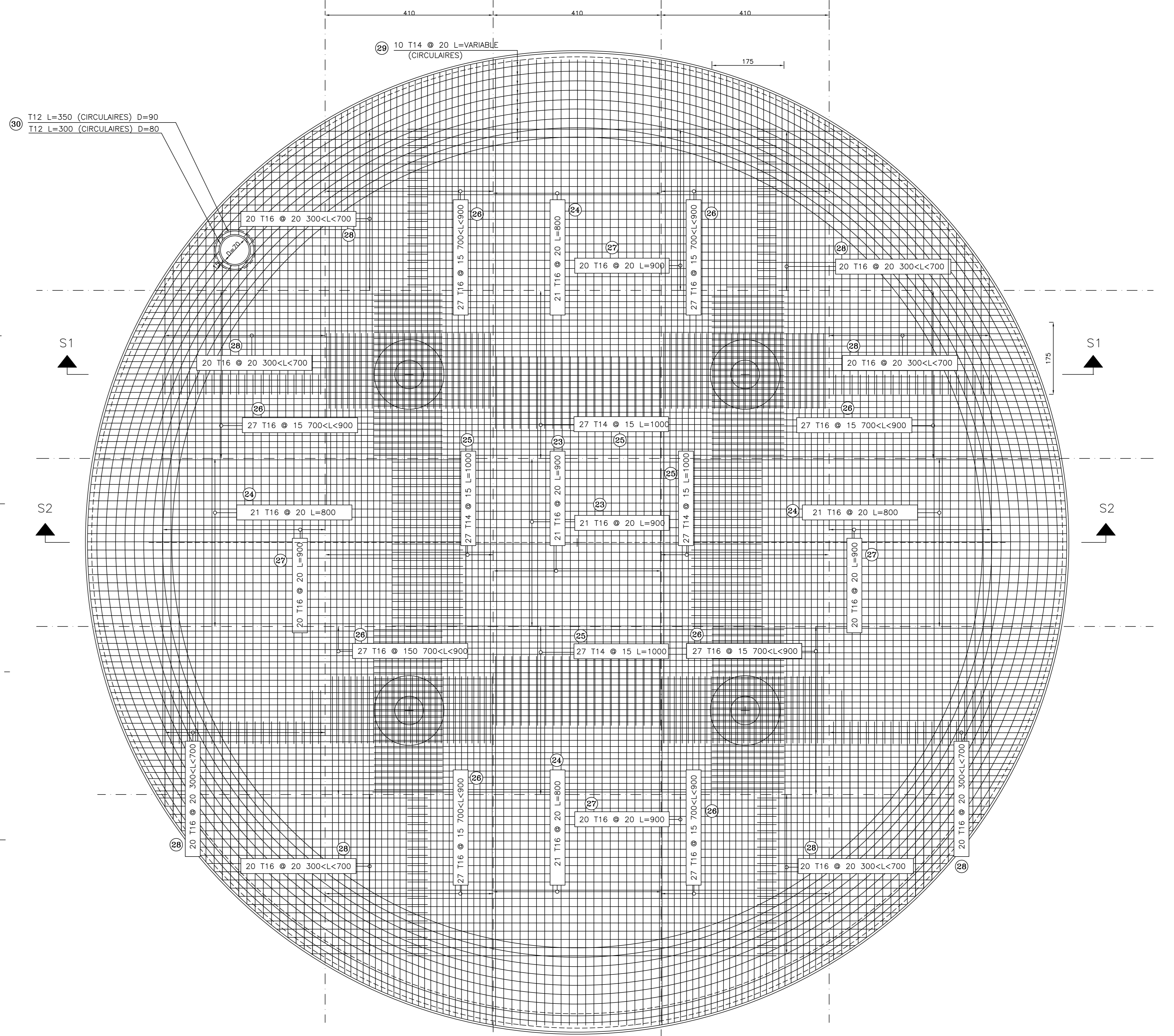




PLANCHER HAUT
ARMATURES SUPERIEURES
Ech. : 1/100

NOTE

- PAROI DU RESERVOIR
- ⊕ PILIER



PLANCHER HAUT
ARMATURES INFERIEURES
Ech. : 1/100

Lebanese Republic



Ministry of Energy and Water
Directorate of Water & Electrical Resources

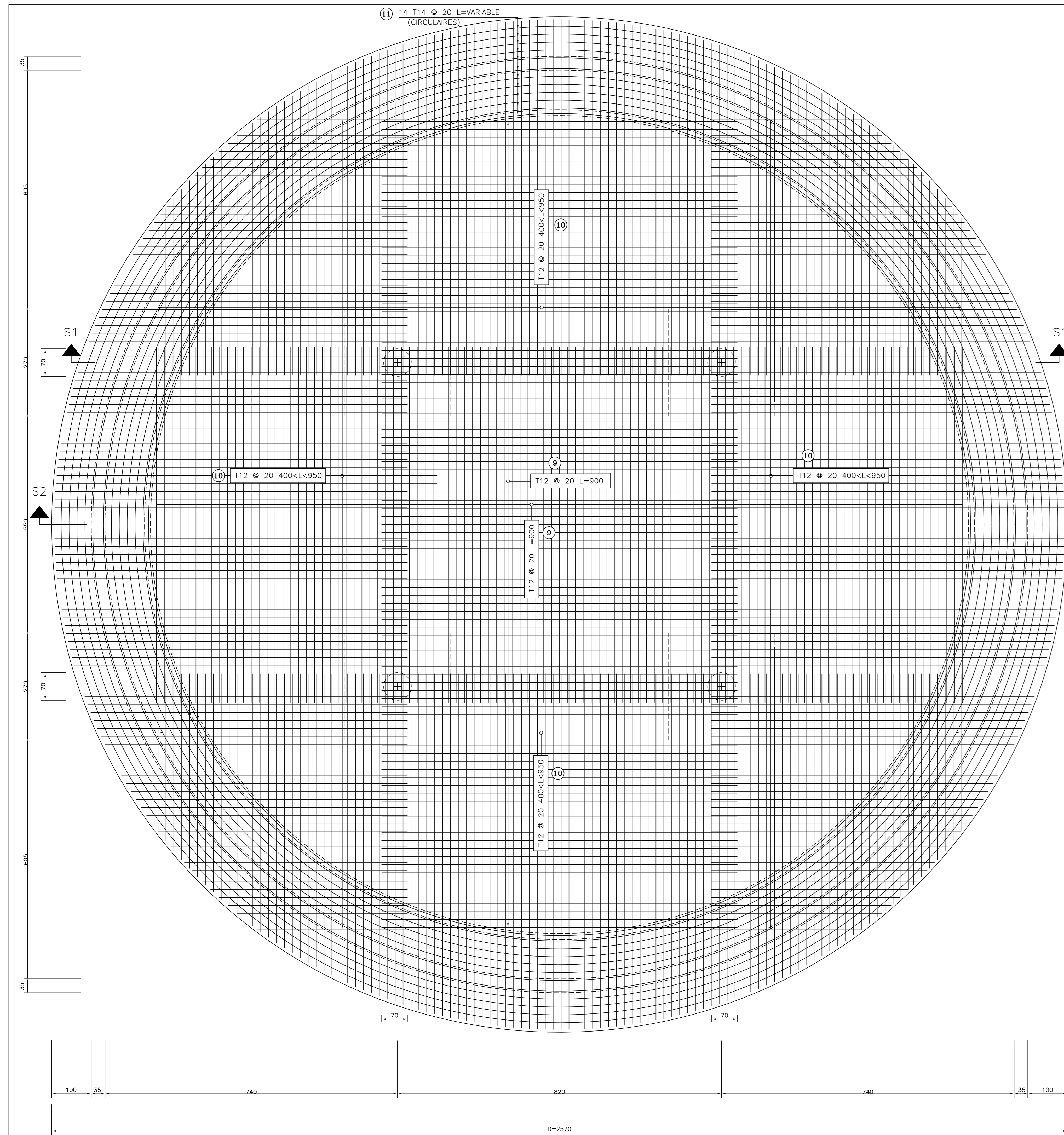
Kfarzebian 2000 m³ Ground Reservoir

PROJECT: Construction of New Ground Water Reservoir in Kfarzebian Village Kaza Keserwan	DATE: April 2017
DWG TITLE: Structural - Plan, Sections & Details Upper Slab Reinforcement Details	Designed By: E.D. Drawn By: D.G.
SCALE: As Specified in Drawings	Checked By: F.H. Approved By: N.C.

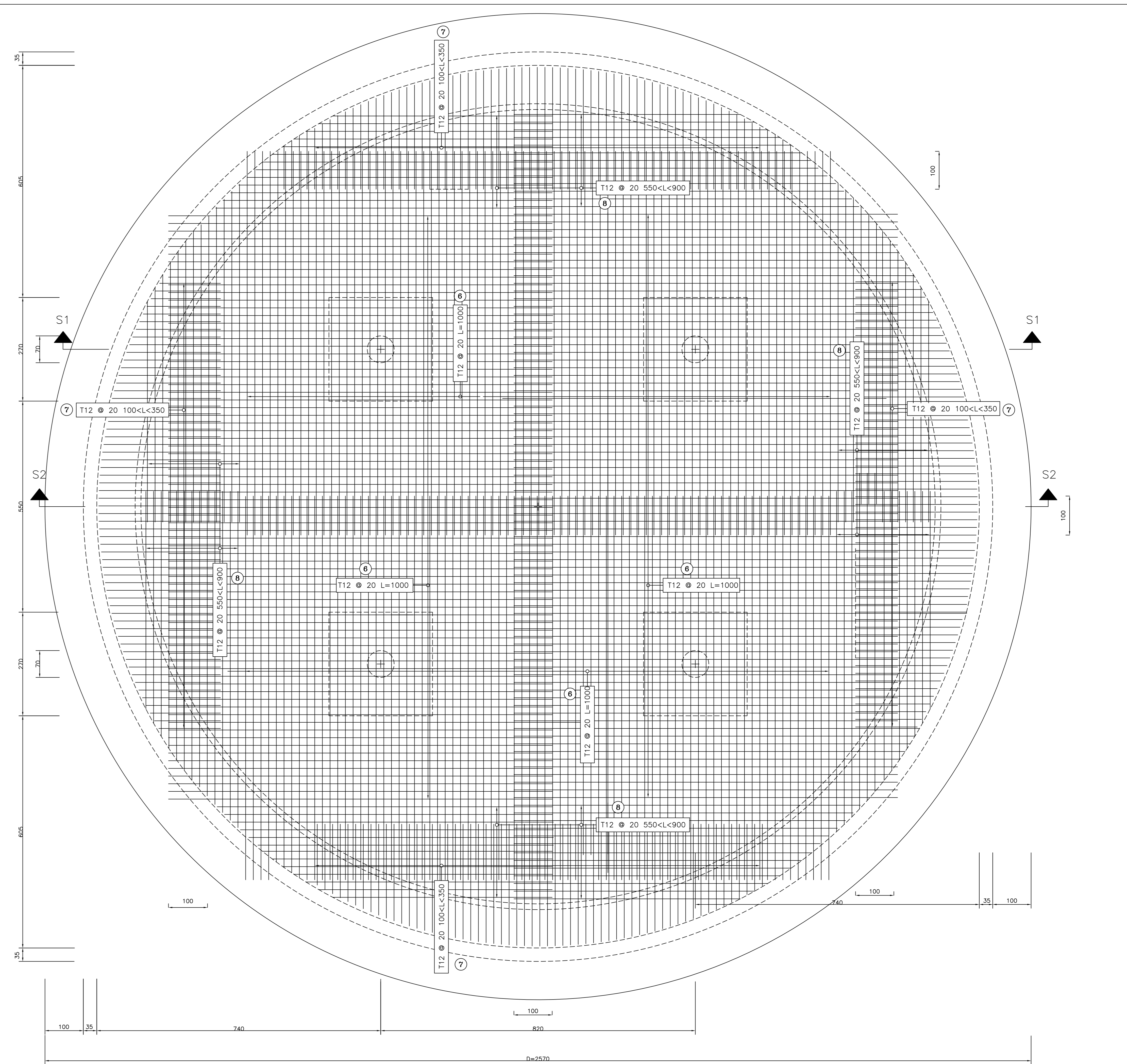
REMARKS:

DWG N°: Dwg: 4/6
REVISION:
DATE:



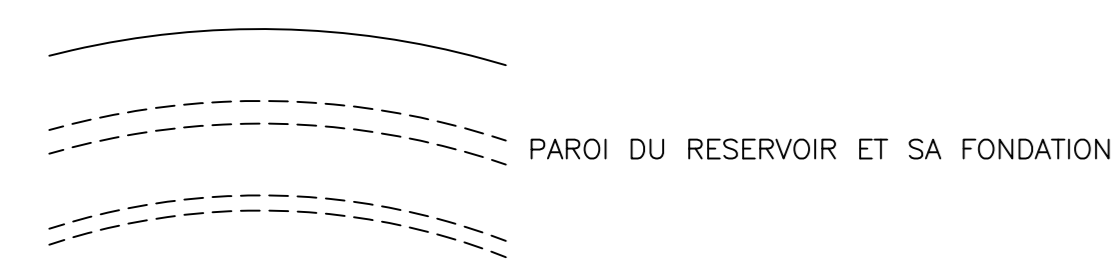


FONDACTIONS DES PAROIS ET RADIER
 ARMATURES SUPERIEURES
 Ech. : 1/100



FONDACTIONS DES PAROIS ET RADIER
 ARMATURES INFÉRIEURES
 Ech. : 1/100

NOTE



Lebanese Republic
 Ministry of Energy and Water
 Directorate of Water & Electrical Resources

Kfarzebian 2000 m³ Ground Reservoir

PROJECT: Construction of New Ground Water Reservoir in Kfarzebian Village Kaza Keserwan	DATE: April 2017
DWG TITLE: Structural - Plan, Sections & Details Lower Slab Reinforcement Details	Designed By: E.D.
SCALE: As Specified in Drawings	Drawn By: D.G.
	Checked By: F.H.
	Approved By: N.C.

REMARKS:

DWG N°:
Dwg: 5/6

REVISION: DATE:

20180503_UNICEF_MoEW_Kfarzebian 2000m3 Ground Reservoir_V 0 0 1

